

## Technical Specifications

<b>Power Supply</b>	6...30VDC SELV
<b>Power Consumption</b>	typ. 49mW, max. 95mW
<b>Total Power Loss</b>	max. 95mW
<b>Safety Protection</b>	IP30
<b>Ambient Temperature</b>	-20...70°C / -4...158°F
<b>Humidity</b>	95% r.H. (non condensing)
<b>Dimensions</b>	90x90x16mm / 3.54x3.54x0.63" (LxWxH)
<b>Maintenance &amp; Cleaning</b>	This device is free of maintenance and may only be cleaned with a dry cloth.

## Connection

<b>Wire Conductor cross-section</b>	0.25...0.8mm <sup>2</sup> / AWG18...AWG23
<b>Exposed Wire Length</b>	5mm / 0.2"
<b>Push-In-Technology</b>	To make connection, insert the wire; to remove the wire twist and pull at the same time.

# LOXONE

No Gimmicks.  
Real Smart Homes.

# Need Help?

[loxone.com/support](http://loxone.com/support)

Loxone Electronics GmbH  
Smart Home 1  
4154 Kollerschlag  
Austria

[loxone.com](http://loxone.com)

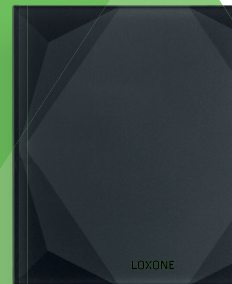


LOXONE

# Touch Pure Tree

Part No.: 100396 (white)

Part No.: 100398 (anthracite)



## About the product

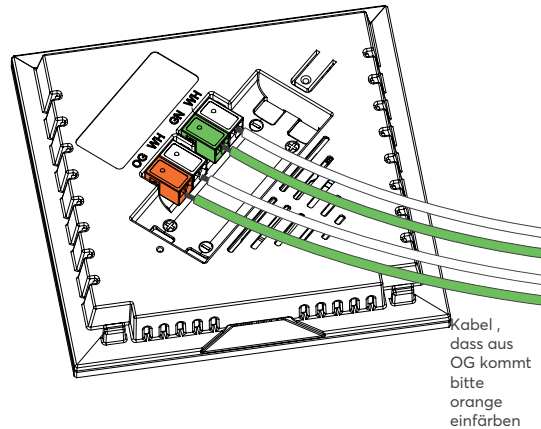
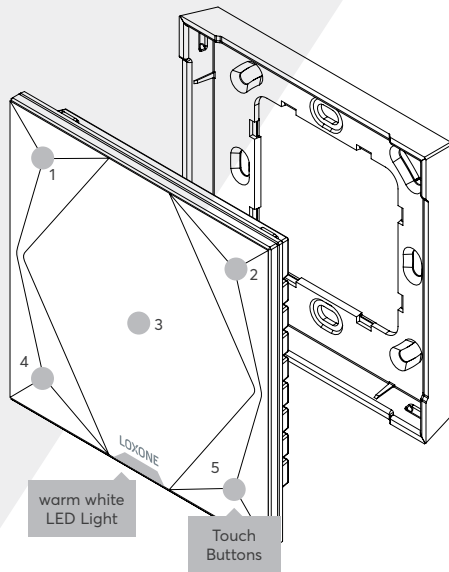
The Loxone Touch Pure has five touch zones, which can be configured according to your needs. The large central touch zone is ideal for controlling lighting, whilst the corner zones are handy for controlling music and blinds, for example.

## Features

- 5 touch buttons
- Temperature & Humidity sensor
- Optional click feedback
- Orientation LED light

## Installation

Install the mounting frame on the desired installation place. Power up the device and pair it with your Miniserver in Loxone Config. To finish the installation attach the Loxone Touch on the mounting frame.



This folder is a part of the product!



For additional information, declaration of conformity, visit [www.loxone.com/help/touch-pure-tree](http://www.loxone.com/help/touch-pure-tree)